

**INSTRUCTIONS FOR INSTALLING A MONEY BOX REPLACEMENT KIT, P/N 2224163,
IN THE NATIONAL VENDORS®, 222 SERIES AND 22M SERIES CIGARETTE
MERCHANTISERS**

**CHECK THE PARTS RECEIVED IN THE KIT WITH THE PARTS LIST
IN THESE INSTRUCTIONS. IF ANY PARTS ARE MISSING, CONTACT
NATIONAL VENDORS' PARTS DEPARTMENT IMMEDIATELY.**

This Kit contains the following:

Part Number	Description	Quantity
2224154	Plate & Chute Assembly - Money Box Top	1
2224153	Money Box Guide	1
2224158	Money Box Assembly	1
9900046	No.8-32 x 1/4 RHS S/T Screw	5
2224162	Installation Instructions	1

TO INSTALL THE KIT

A. PARTS REMOVAL (see Figure 1)

1. Disconnect the Merchandiser's electrical Service Cord from the wall receptacle.
2. Unlock and open the Cabinet Door.
3. Set the Door Holder Leg.
4. Remove Money Box from the Merchandiser.
5. Expose the Right Sidewall.
6. Remove the Money Box Guide from the Right Sidewall by removing two screws.
7. Remove the Money Box Top Plate and Money Box Spout Assembly from the Right Sidewall by removing three Screws.
8. Remove the Money Box Return Bracket (located on door) from the 22M Merchandisers.

B. INSTALLATION OF THE KIT (See Figure 2)

1. Attach the replacement Money Box Top Plate to the Right Sidewall using three No.8-32 x 1/4 Round Head Self Tapping Screws, included in the Kit.
2. Attach the replacement Money Box Guide to the Right Sidewall using two No.8-32 x 1/4 Round Head Self Tapping Screws, included in the Kit.
3. Install the replacement Money Box Assembly, in the Merchandiser by sliding the Money Box Assembly between the Money Box Guide and Money Box Top Plate.
4. Return the Door Holder Leg to the UP position.
5. Close and lock the Cabinet Door.
6. Connect the Merchandisers' electrical Service Cord to a properly polarized wall receptacle.

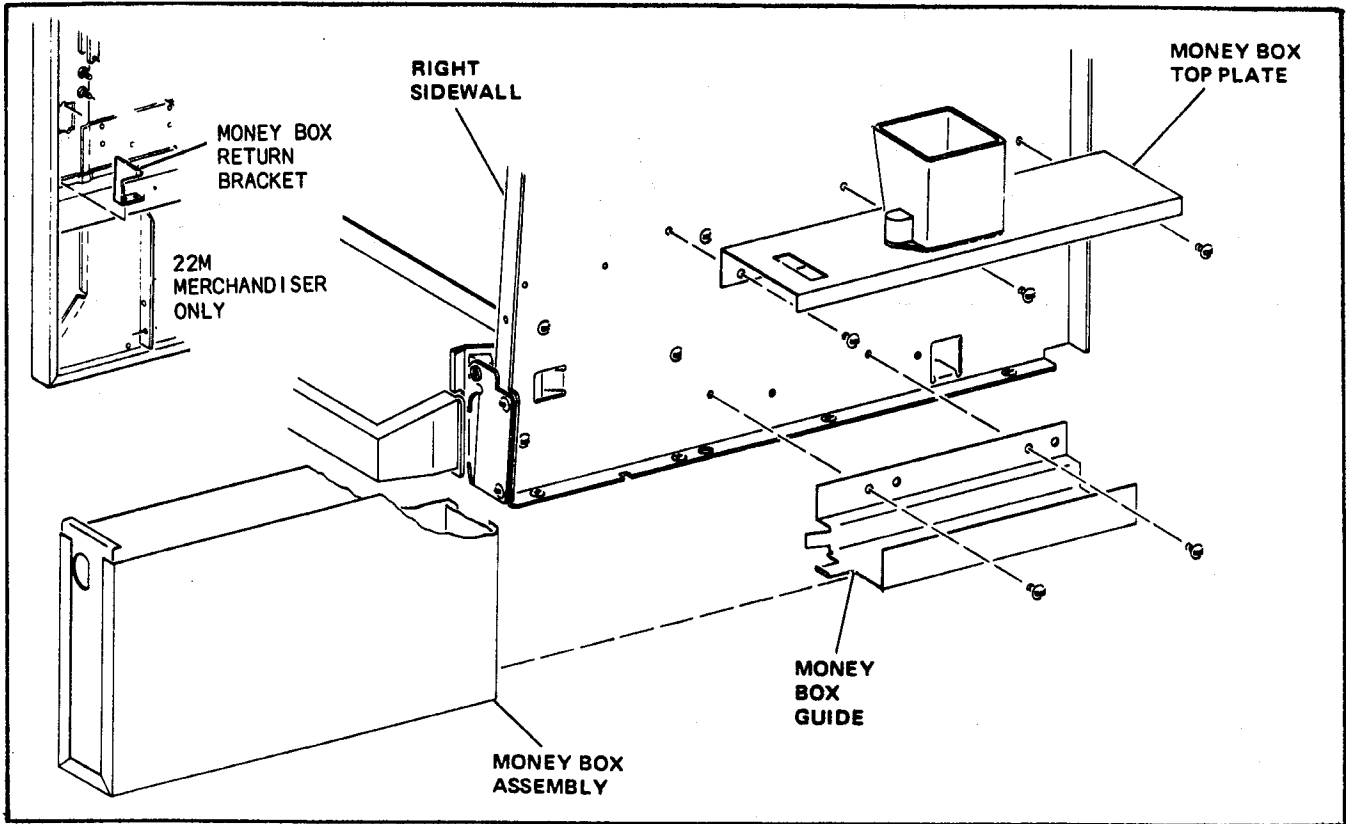


FIGURE 1

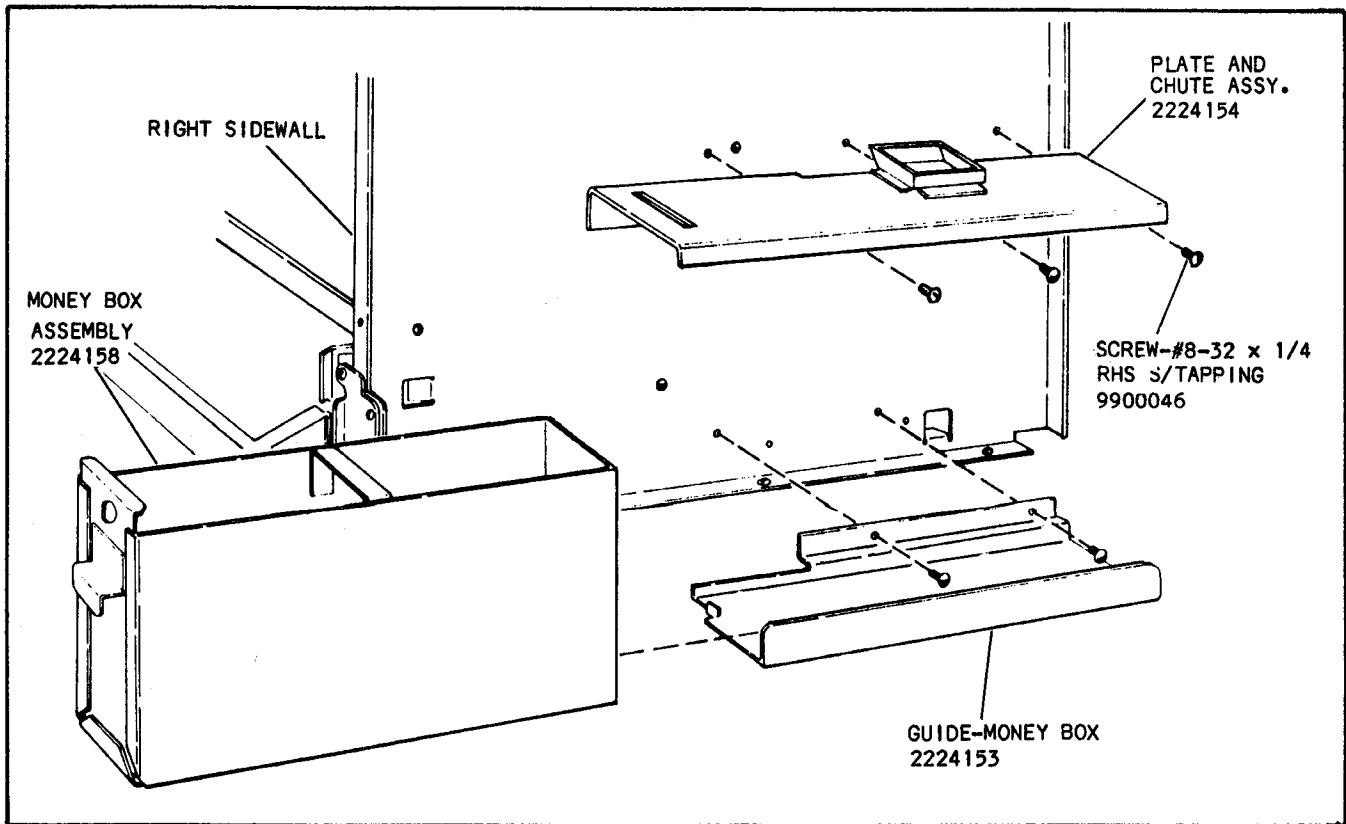


FIGURE 2

**INSTRUCTIONS FOR INSTALLING A MONEY BOX REPLACEMENT KIT, P/N 2224163,
IN THE NATIONAL VENDORS®, 222 SERIES AND 22M SERIES CIGARETTE
MERCHANTISERS**

**CHECK THE PARTS RECEIVED IN THE KIT WITH THE PARTS LIST
IN THESE INSTRUCTIONS. IF ANY PARTS ARE MISSING, CONTACT
NATIONAL VENDORS' PARTS DEPARTMENT IMMEDIATELY.**

This Kit contains the following:

Part Number	Description	Quantity
2224158	Money Box Top Plate	1
2224153	Money Box Guide	1
2224158	Money Box Assembly	1
9900046	No.8-32 x 1/4 RHS S/T Screw	5
2224162	Installation Instructions	1

Plate of Child Assy. - Money Box Top

TO INSTALL THE KIT

A. PARTS REMOVAL (see Figure 1)

1. Disconnect the Merchandiser's electrical Service Cord from the wall receptacle.
2. Unlock and open the Cabinet Door.
3. Set the Door Holder Leg.
4. Remove Money Box from the Merchandiser.
5. Expose the Right Sidewall.
6. Remove the Money Box Guide from the Right Sidewall by removing two screws.
7. Remove the Money Box Top Plate and Money Box Spout Assembly from the Right Sidewall by removing three Screws.
8. Remove the Money Box Return Bracket (located on door) from the 22M Merchandisers.

REC-222-1209
1/21

B. INSTALLATION OF THE KIT (See Figure 2)

1. Attach the replacement Money Box Top Plate to the Right Sidewall using three No.8-32 x 1/4 Round Head Self Tapping Screws, included in the Kit.
2. Attach the replacement Money Box Guide to the Right Sidewall using two No.8-32 x 1/4 Round Head Self Tapping Screws, included in the Kit.
3. Install the replacement Money Box Assembly, in the Merchandiser by sliding the Money Box Assembly between the Money Box Guide and Money Box Top Plate.
4. Return the Door Holder Leg to the UP position.
5. Close and lock the Cabinet Door.
6. Connect the Merchandisers' electrical Service Cord to a properly polarized wall receptacle.

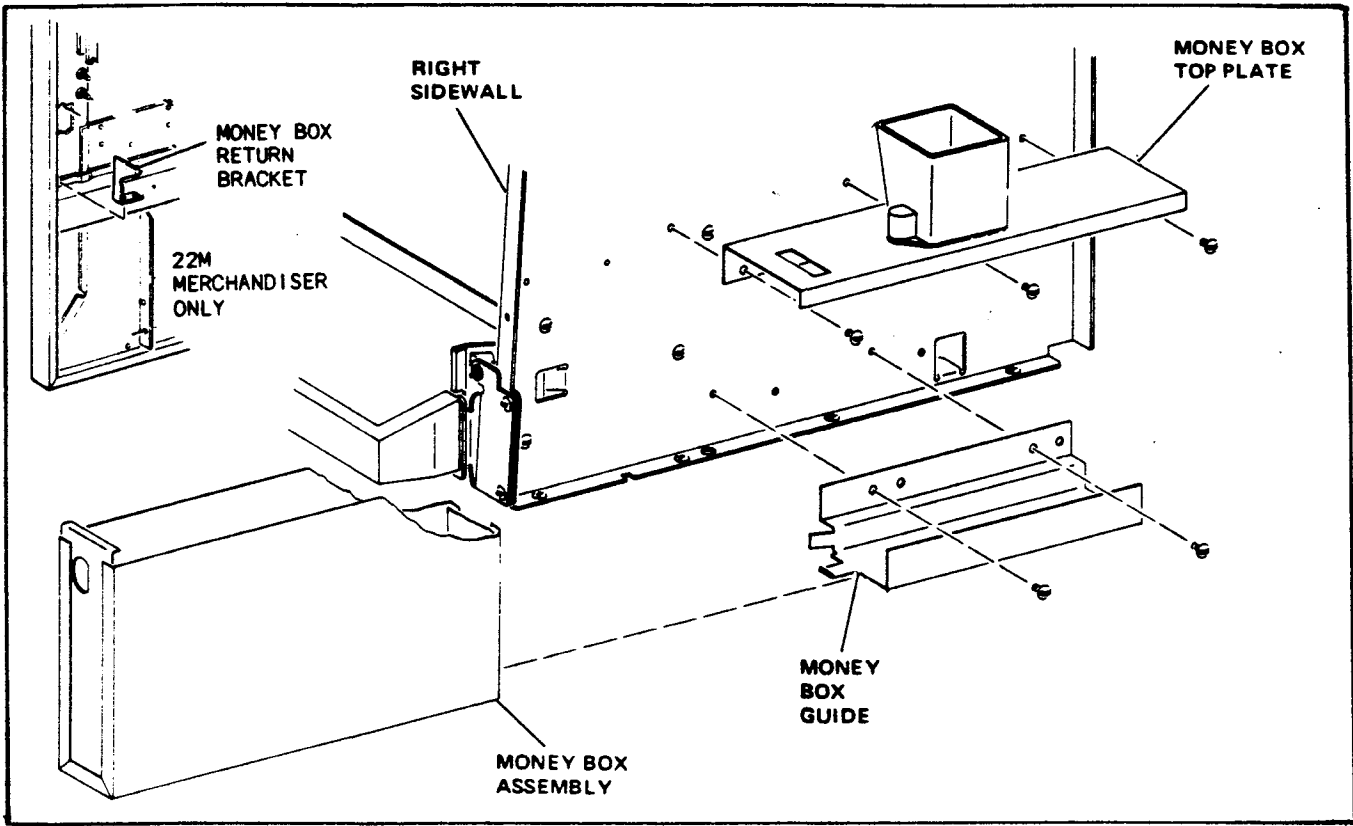


FIGURE 1

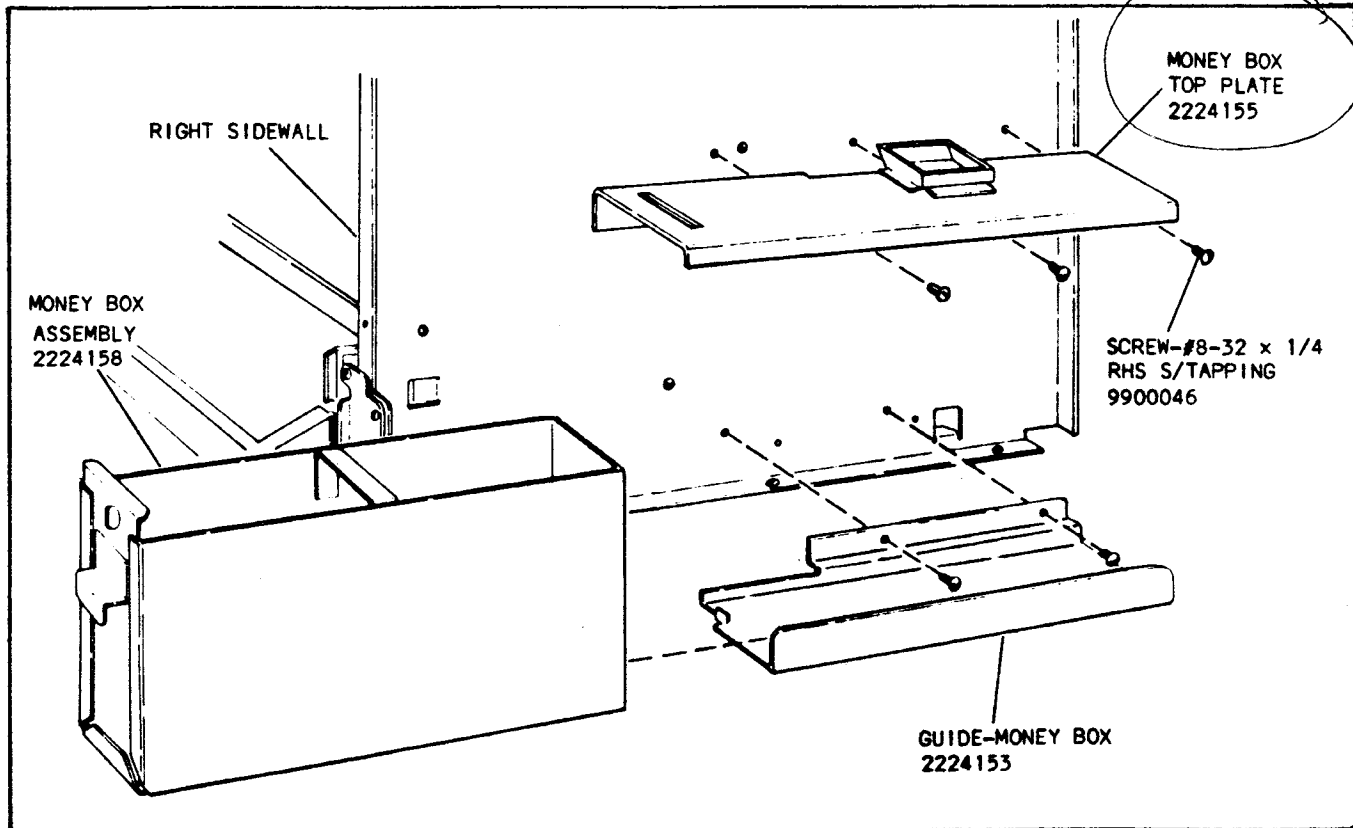


FIGURE 2